

INNER RINGS

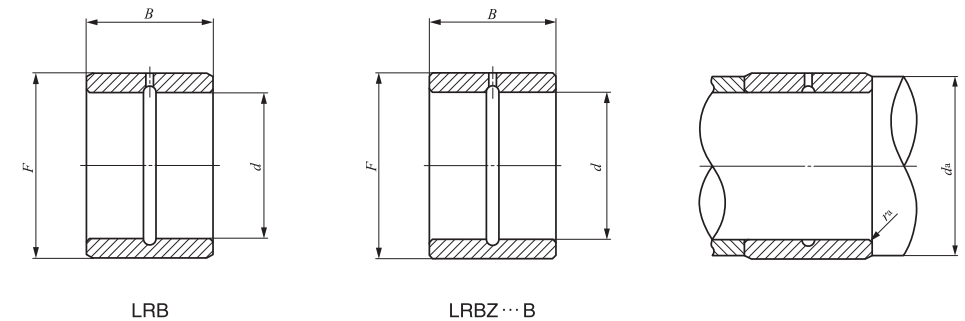
Inner Rings for General Usage **Inch Series**



Shaft dia. 9.525 – 22.225mm

Shaft dia. mm (inch)	Identification number		Mass (Ref.) g	Boundary dimensions mm(inch)			Standard mounting dimensions mm ⁽¹⁾		
				<i>d</i>	<i>F</i>	<i>B</i>	<i>d_a</i>		<i>r_{as} max</i>
						Min.	Max.	Max.	
9.525 (³ / ₈)	LRB 61012	—	18.5	9.525 (³ / ₈)	15.875 (⁵ / ₈)	19.300	14	14.5	0.6
	—	LRBZ 61016 B	25	9.525 (³ / ₈)	15.875 (⁵ / ₈)	25.650	14	14.5	0.6
12.700 (¹ / ₂)	LRB 81212	—	23.5	12.700 (¹ / ₂)	19.050 (³ / ₄)	19.300	17.5	18	1
	LRB 81216	—	31	12.700 (¹ / ₂)	19.050 (³ / ₄)	25.650	17.5	18	1
	—	LRBZ 81216 B	31	12.700 (¹ / ₂)	19.050 (³ / ₄)	25.650	17.5	18	0.6
15.875 (⁵ / ₈)	LRB 101412	—	28	15.875 (⁵ / ₈)	22.225 (⁷ / ₈)	19.300	21	21.2	1
	LRB 101416	—	37.5	15.875 (⁵ / ₈)	22.225 (⁷ / ₈)	25.650	21	21.2	1
	—	LRBZ 101416 B	37.5	15.875 (⁵ / ₈)	22.225 (⁷ / ₈)	25.650	21	21.2	0.6
19.050 (³ / ₄)	LRB 121612	—	33	19.050 (³ / ₄)	25.400 (1)	19.300	24	24.4	1
	LRB 121616	—	44	19.050 (³ / ₄)	25.400 (1)	25.650	24	24.4	1
	—	LRBZ 121616 B	44	19.050 (³ / ₄)	25.400 (1)	25.650	24	24.4	0.6
22.225 (⁷ / ₈)	LRB 141816	—	50	22.225 (⁷ / ₈)	28.575 (1 ¹ / ₈)	25.650	27	27.5	1
	LRB 141820	—	62	22.225 (⁷ / ₈)	28.575 (1 ¹ / ₈)	32.000	27	27.5	1
	—	LRBZ 141820 B	62	22.225 (⁷ / ₈)	28.575 (1 ¹ / ₈)	32.000	27	27.5	0.6

Note(1) Maximum allowable fillet corner radius of shaft
 Remark LRB and LRBZ...B are provided with an oil groove and an oil hole.



Assembled bearings	
BR 101812	BR 101816UU
BR 122012	BR 122016
BR 122016	BR 122016UU
BR 142212	BR 142216
BR 142216	BR 142216UU
BR 162412	BR 162416
BR 162416	BR 162416UU

BR 182616	BR 182620
BR 182620	BR 182620UU

H

IRT
IRB
LRT
LRB